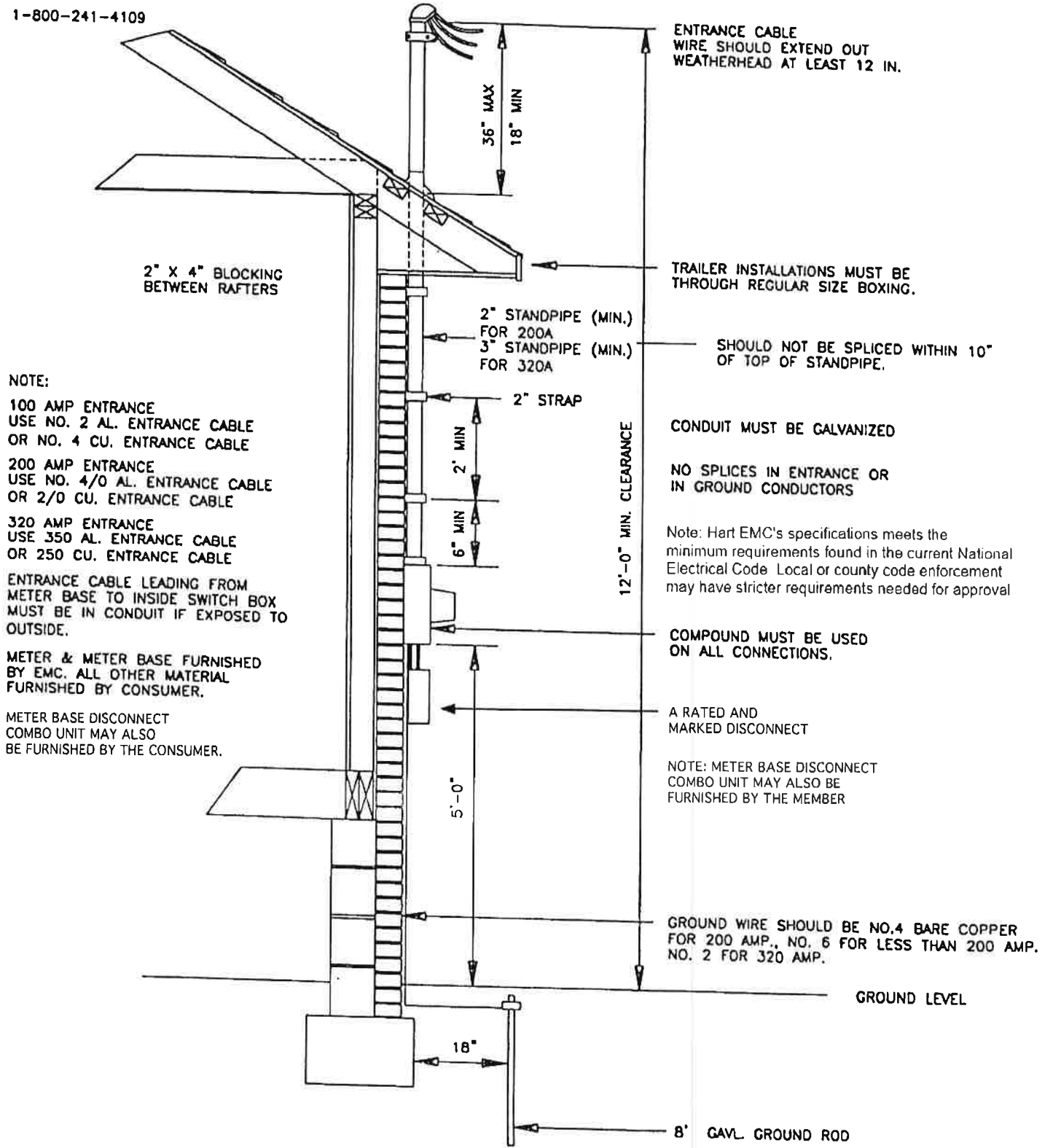


HART EMC
 P. O. BOX 250
 HARTWELL, GA. 30643

1-800-241-4109

ASSEMBLY GUIDE FOR SERVICE MAST



ENTRANCE CABLE
 WIRE SHOULD EXTEND OUT
 WEATHERHEAD AT LEAST 12 IN.

36" MAX
 18" MIN

2" X 4" BLOCKING
 BETWEEN RAFTERS

TRAILER INSTALLATIONS MUST BE
 THROUGH REGULAR SIZE BOXING.

2" STANDPIPE (MIN.)
 FOR 200A
 3" STANDPIPE (MIN.)
 FOR 320A

SHOULD NOT BE SPLICED WITHIN 10"
 OF TOP OF STANDPIPE.

2" STRAP

CONDUIT MUST BE GALVANIZED

2' MIN
 6" MIN

NO SPLICES IN ENTRANCE OR
 IN GROUND CONDUCTORS

12'-0" MIN. CLEARANCE

Note: Hart EMC's specifications meets the
 minimum requirements found in the current National
 Electrical Code. Local or county code enforcement
 may have stricter requirements needed for approval

COMPOUND MUST BE USED
 ON ALL CONNECTIONS.

A RATED AND
 MARKED DISCONNECT

NOTE: METER BASE DISCONNECT
 COMBO UNIT MAY ALSO BE
 FURNISHED BY THE MEMBER

5'-0"

GROUND WIRE SHOULD BE NO. 4 BARE COPPER
 FOR 200 AMP., NO. 6 FOR LESS THAN 200 AMP.
 NO. 2 FOR 320 AMP.

GROUND LEVEL

18"

8' GALV. GROUND ROD

NOTE:

100 AMP ENTRANCE
 USE NO. 2 AL. ENTRANCE CABLE
 OR NO. 4 CU. ENTRANCE CABLE

200 AMP ENTRANCE
 USE NO. 4/0 AL. ENTRANCE CABLE
 OR 2/0 CU. ENTRANCE CABLE

320 AMP ENTRANCE
 USE 350 AL. ENTRANCE CABLE
 OR 250 CU. ENTRANCE CABLE

ENTRANCE CABLE LEADING FROM
 METER BASE TO INSIDE SWITCH BOX
 MUST BE IN CONDUIT IF EXPOSED TO
 OUTSIDE.

METER & METER BASE FURNISHED
 BY EMC. ALL OTHER MATERIAL
 FURNISHED BY CONSUMER.

METER BASE DISCONNECT
 COMBO UNIT MAY ALSO
 BE FURNISHED BY THE CONSUMER.

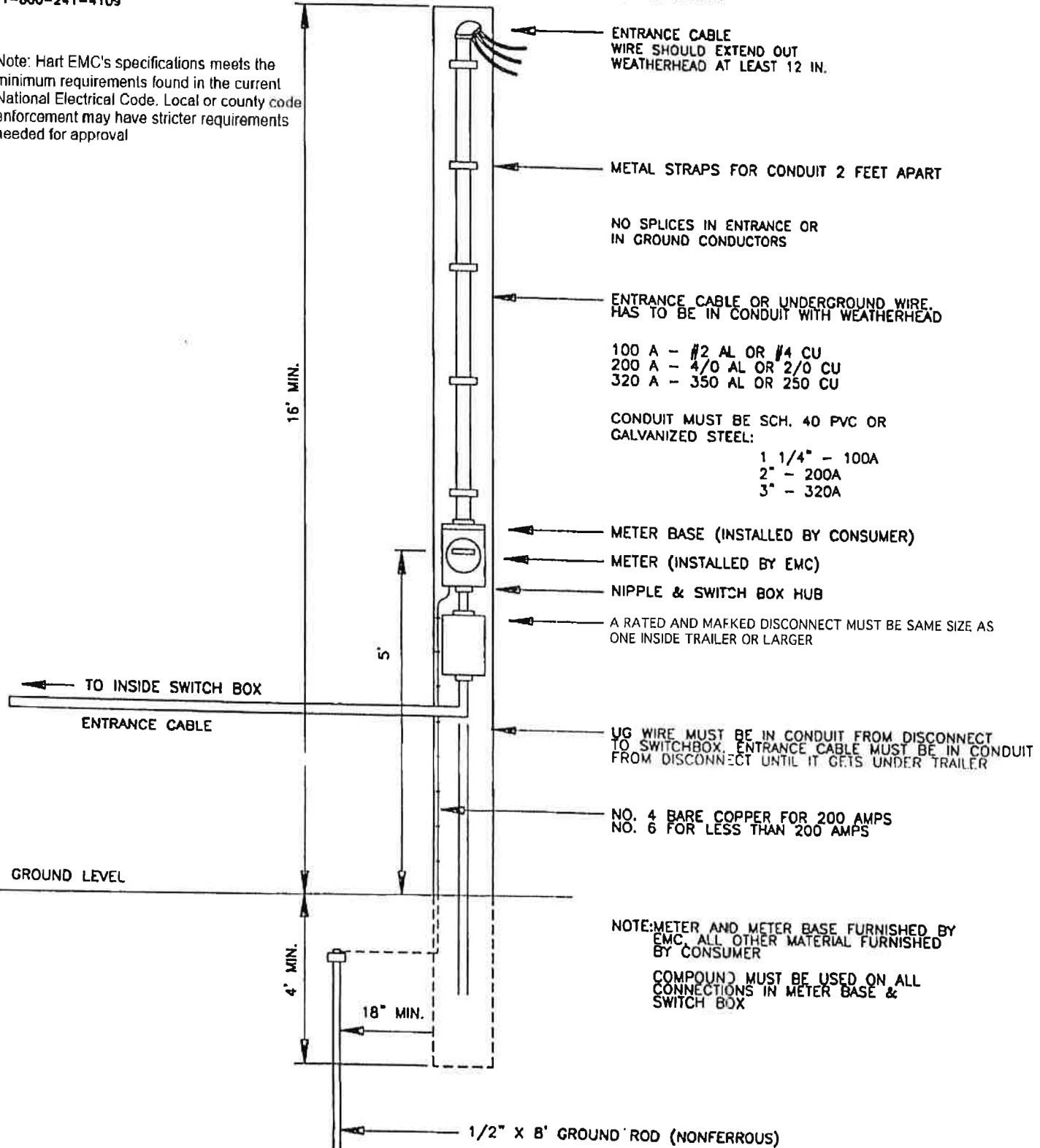
TRAILER POLE SPECIFICATIONS

HART EMC
P. O. BOX 250
HARTWELL, GA. 30643

1-800-241-4109

Note: Hart EMC's specifications meets the minimum requirements found in the current National Electrical Code. Local or county code enforcement may have stricter requirements needed for approval

TRAILER POLE MUST BE A 20 FOOT, ROUND TREATED POLE WITH A 6 INCH MIN. DIAMETER AT TOP OR A 20 FOOT 6X6 SQUARE TREATED. ANY OTHER KIND WILL BE TURNED DOWN.



UNDERGROUND SPECIFICATIONS

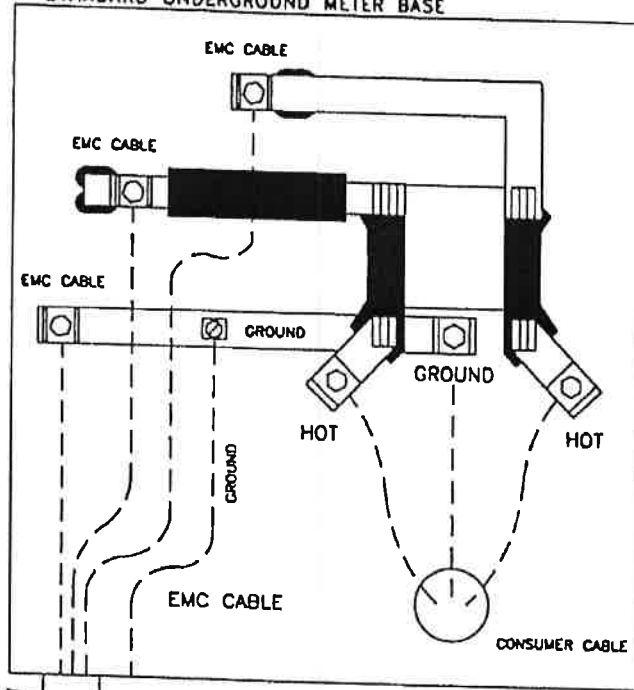
HART EMC
P.O. BOX 250
HARTWELL, GA. 30643

1-800-241-4109
Revision Date : 5/20/2021

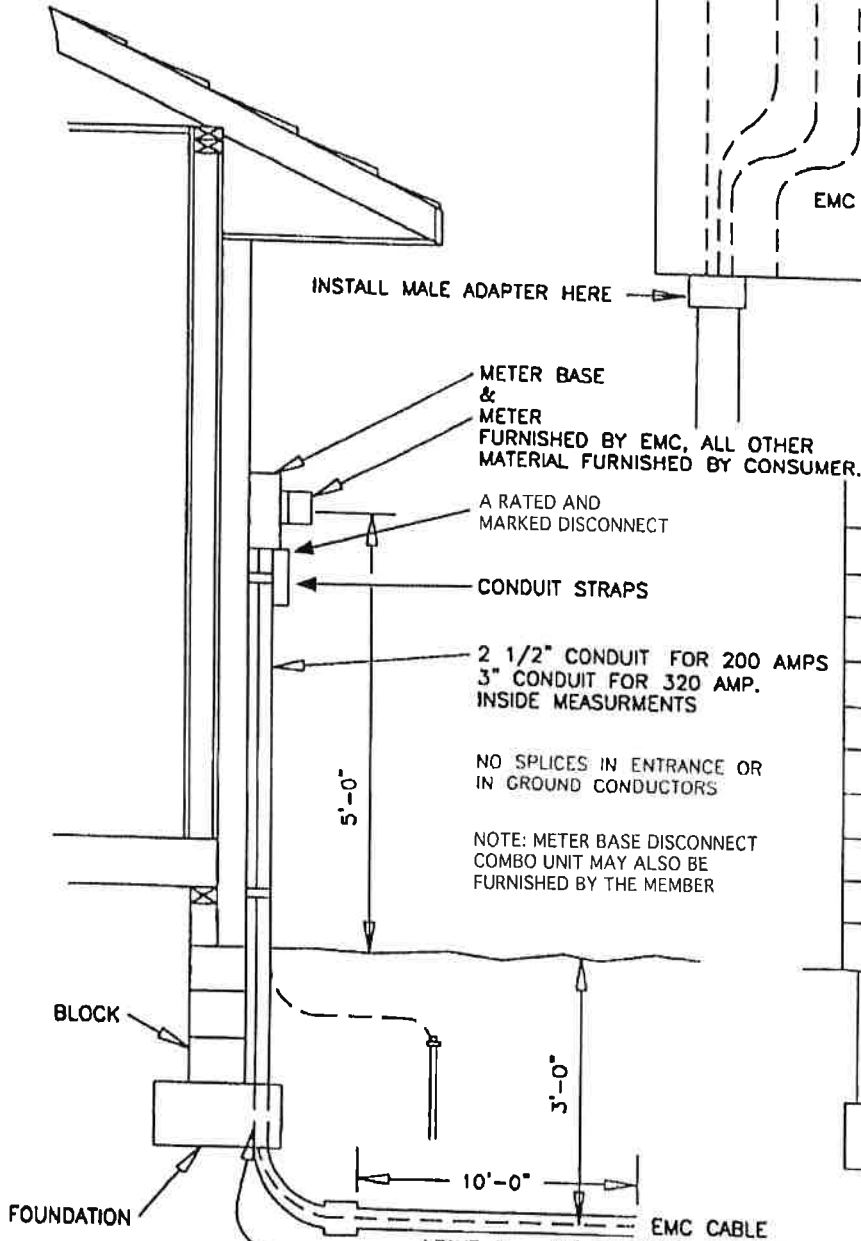
No water line will be installed in same trench with power line after 2/1/1996

Note: Hart EMC's specifications meets the minimum requirements found in the current National Electrical Code. Local or county code enforcement may have stricter requirements needed for approval

STANDARD UNDERGROUND METER BASE

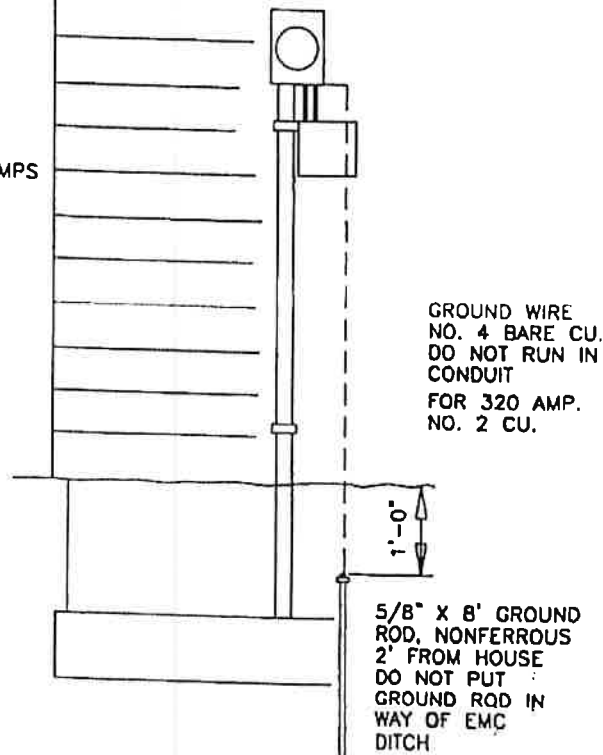


SIDE VIEW



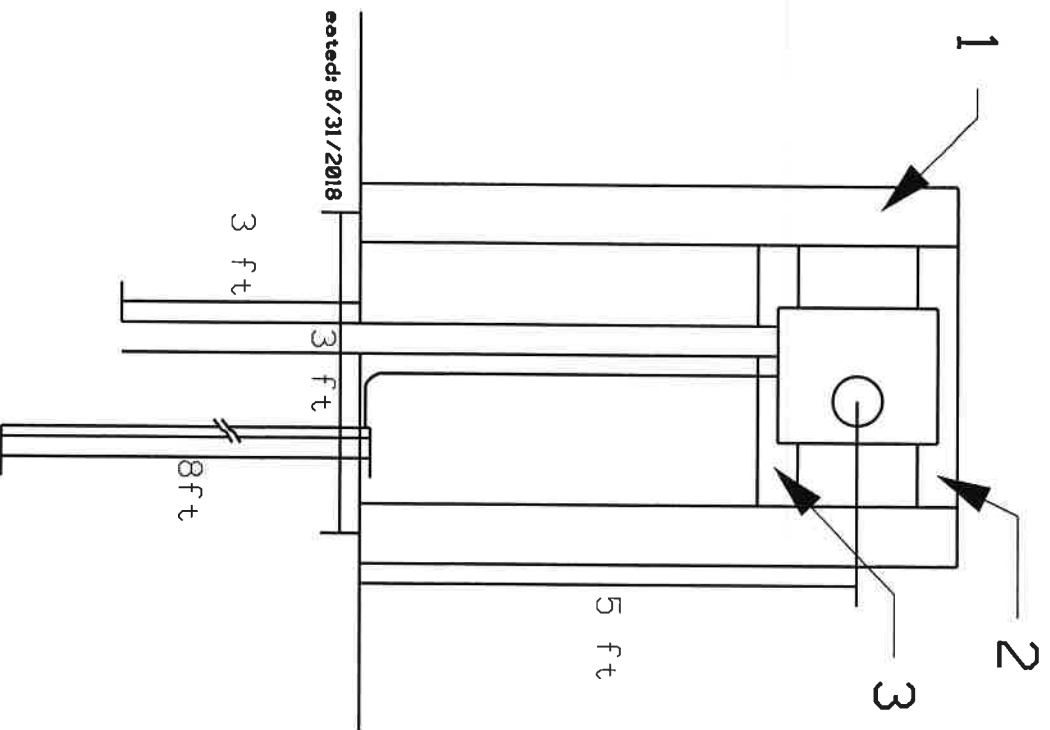
CONSUMER CAN USE MIDDLE KNOCK OUT, SIDE OR BACK

FRONT VIEW



LEAVE 2 - 10' SECTIONS OF PIPE AND SWEEPING "L" LAYING AT METER BASE. E.M.C. WILL INSTALL WHEN TRENCH IS DUG.
CONSUMER RESPONSIBLE FOR FURNISHING SWEEPING "L" OUT FROM FOUNDATION WITH .10' SECTION OF CONUIT. FOUNDATION MUST BE CHISELED OUT TO MAKE JOB EASIER, FOUNDATION CAN BE FORMED OUT BEFORE CONCRETE IS POURED.
DO NOT CEMENT AROUND CONDUIT.

Hart EMC Underground Pedestal



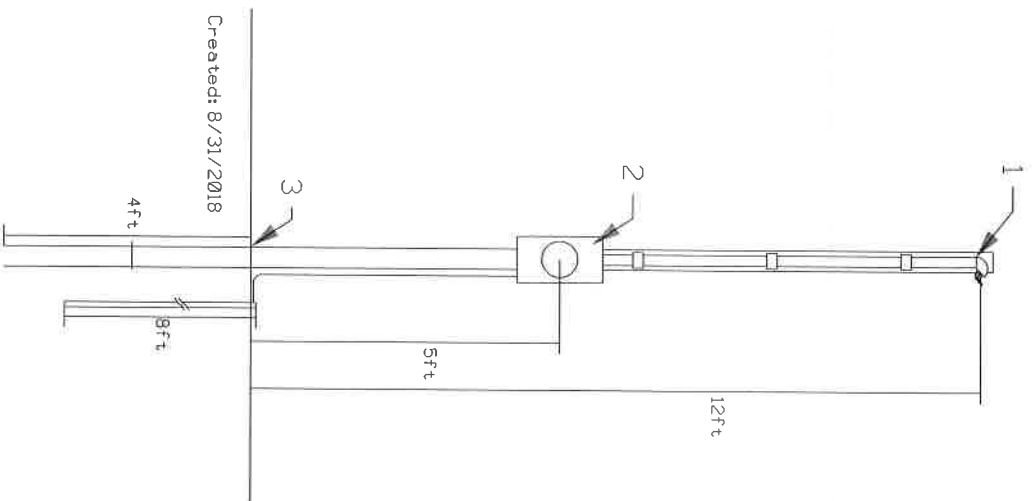
1. Two 4x4's (or 4x6's) need to be spaced at least 3ft apart to allow digging for service wire. They must be placed in the ground in such a manner that the meter base will be approximately 5ft above the ground.

2. Two 2x6's or 2x4's will be used to attach the meter base and form an H-structure. The meter base will need to be placed in the center of the H-structure to allow for the service wire to be dug to the meter base without compromising the posts in the ground.

3. A main disconnect must be installed on the H-structure along with the meter base. The meterbase can be a combo unit which has main disconnect attached directly to the meterbase.

Note: This drawing is for pedestal construction only, please reference Hart EMC's Underground Specifications drawing for wire, ground, and conduit requirements.

Hart EMC Overhead Temp Pole Spec



Note: This pole is for construction use only and can only be in place for no more than twelve months.

1. A temporary pole must be 16ft tall and should be a 4x4 or at least 4 inches in diameter at the top. The temporary pole shall be set 4ft in the ground. This pole should also be braced with respect to the direction from which our triplex will come from.
2. The meter base should be installed so that the meter will be approximately 4 to 5 ft above the ground.
3. This pole should also be braced with respect to the direction from which our triplex will come from.

Note: This drawing is for temporary pole construction only, please reference Hart EMC's Trailer Pole Specifications drawing for wire, ground, conduit, and disconnect requirements.

Created: 8/31/2018